

SUPER MIX/ GRANULATOR (WITH VACUUM DRYING SYSTEM & CONE MILL)



DNV
ISO2000:9002

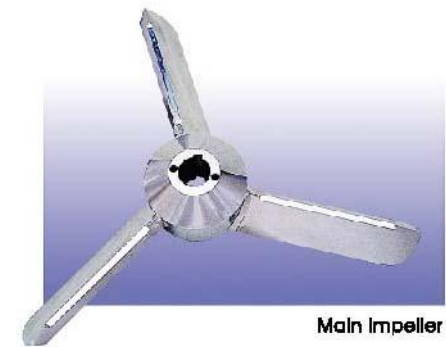


A 、FEATURE

1. Multi-functions : mixing , granulating , drying.
2. With multi-functions in one machine which saves labor and space.
3. Drying in low temp. : vacuum drying temp. is 35~60°C 。
4. Process Visualization & Touch Screen Operation (OPTIONAL)



Chopper



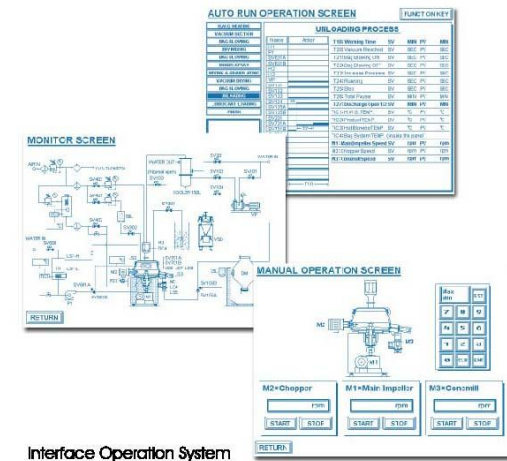
Main Impeller



5. CIP system: simple cleaning (OPTIONAL)

6. Comply with CGMP standard.

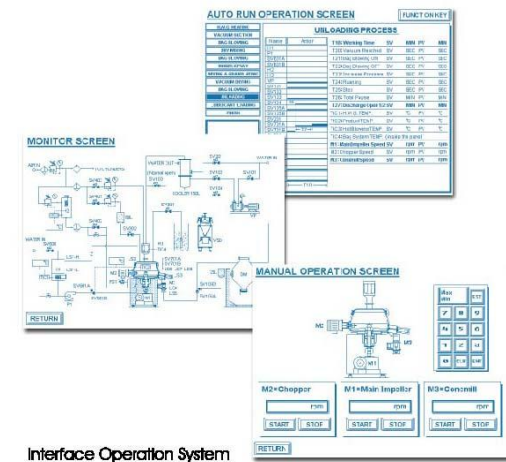
7. Effective drying time: 1-3hr/batch, even drying and uniform outcome color . (actual hours depend on the water content %)



8. Contamination free by air seal system:
It prevents powder contact with shaft which meets GMP standard.

9. Automatic and fully contained operation-it's dust free.

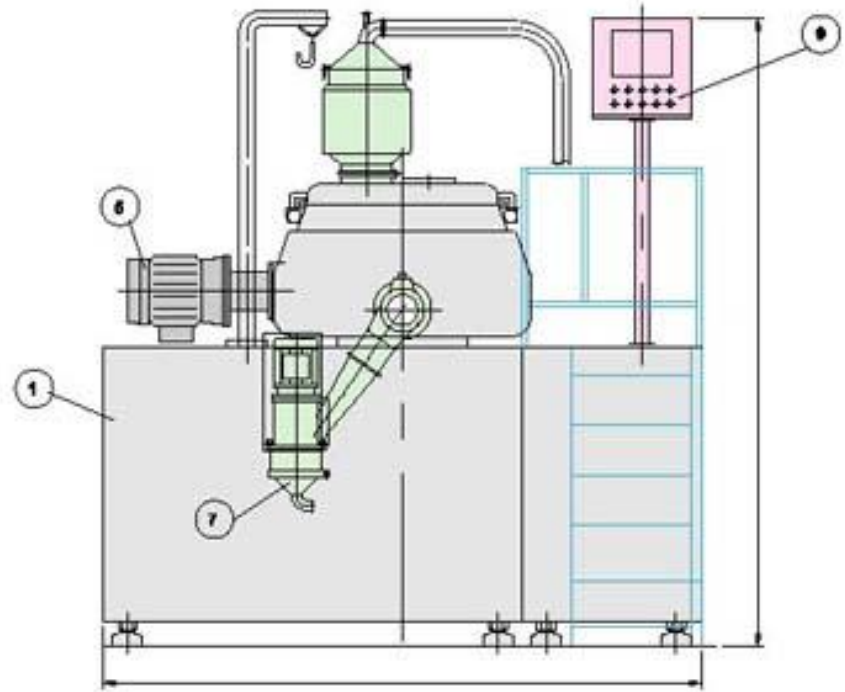
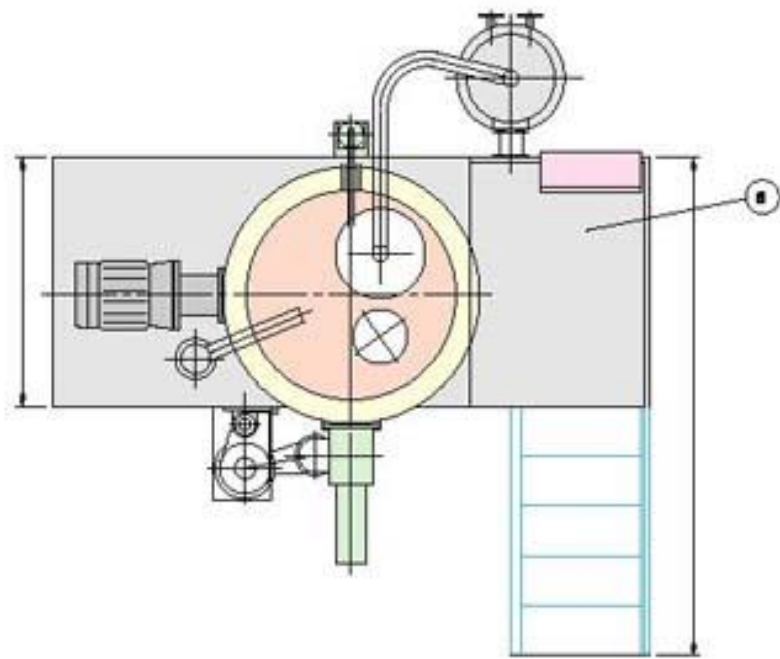
10. Can join with cone mill to get even granules. (optional)



B、APPLICATION

1. Pharmaceutical: contraceptives pills、hormone、other special drug etc
2. Food: health food、instant powder drink、candy、vitamin.
3. Chemical: washing powder、insecticide、chemical raw material.





Specification

Model YC-SMGD		SMGD-20	SMGD-100	SMGD-150	SMGD-250	SMGD-300	SMGD-400	SMGD-600	SMGD-800	SMGD-1000	SMGD-2000
Full Capacity	L	20	100	150	250	300	400	600	800	1000	2000
Working Capacity	L	14	70	105	175	210	280	420	560	700	1400
Average Working batch(Assuming)0.5g/c.c.	KG	3-5	25-35	40-60	75-100	90-120	120-150	180-220	240-300	350-400	600-800
Dimension (LxWxH)	mm	1560X540X1430	2100X700X1600	2300X850X2125	2420X900X2275	2600X950X2750	3200X1200X3000	3600X1450X3500	3350X2800X3500	3300X2800X3500	4000X3400X3500

YC-EP-SMGD Model For Explosion Proof Type Binder Spray System Optional Specifications subject to change without notice

