

# Through Circulation Dryer



DNV

ISO2000:9002



## A 、FUNCTION

Drying for Fine Granule, Long Granule, Pellet, Powder, Pill.

## B 、APPLICATION

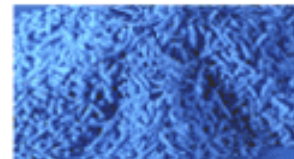
Pharmaceuticals, Food, Dye Material, Pigment, Drying of any kind of chemical wet granules and powder.

## C、THEORY

1. The drying object is placed on the drying tray which are made of special screen or punch hole plate.
2. The drying trays are placed in the special designed trolley which has several layers perfectly matched with the drying chamber.



Fine Granule



Long Granule



Powder



Pellet

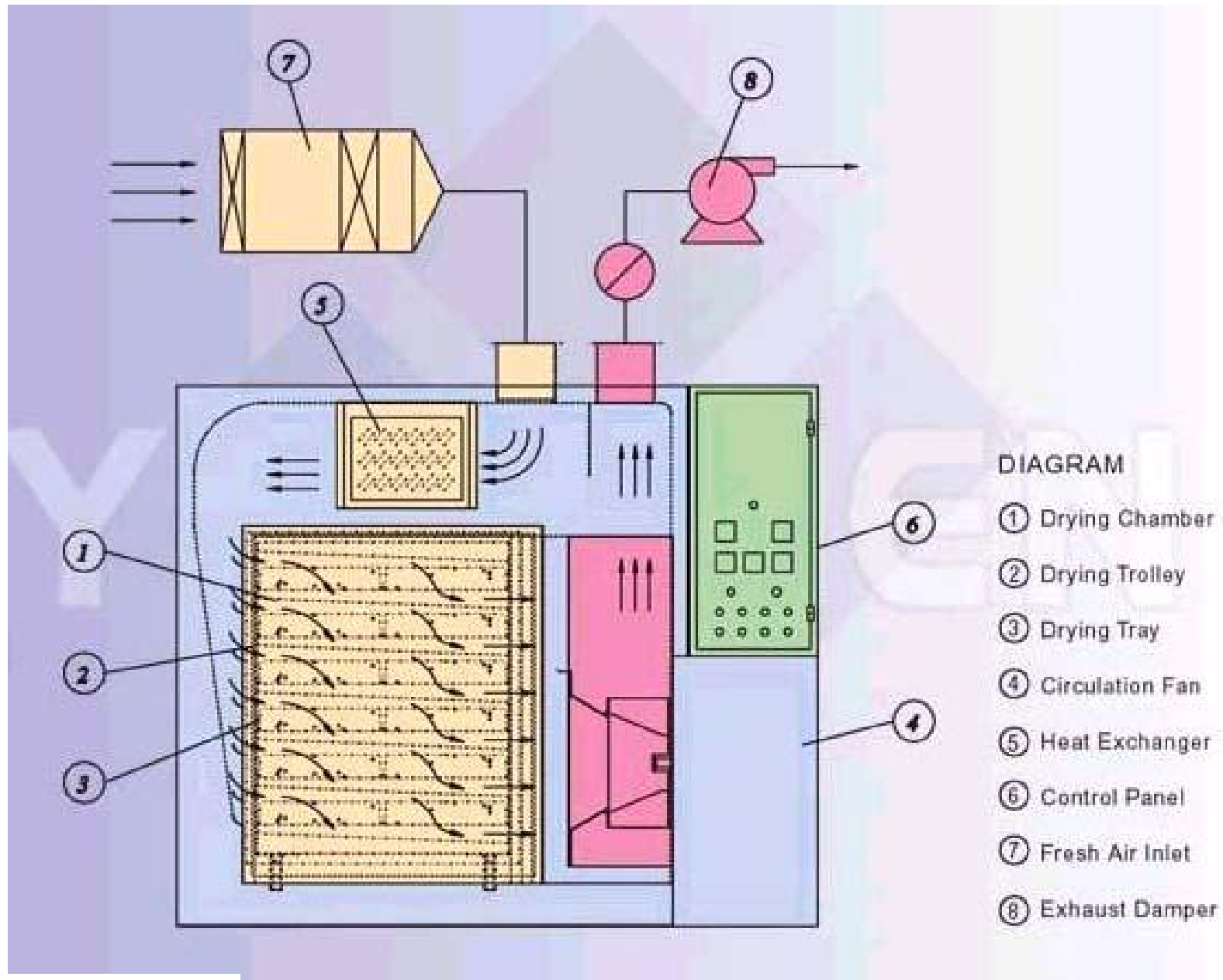


Pill

## D、FEATURE

1. High efficiency: The hot air quickly removes the moisture from drying object to maintain the product quality.
2. Short drying time: The drying rate is 2~4 times faster than the conventional dryer.
3. Constant drying: No need to change position of the drying object during the process.

4. Temperature uniformity : The temperature in each tray is controlled within  $\pm 5^{\circ}\text{C}$  (Loading 50~80 $^{\circ}\text{C}$ )
5. No color difference.
6. The movable trolley can move up and down and easy cleaning.



## SPECIFICATIONS :

MODEL \ ITEM	WORKING CAPACITY
	(Kg/Batch)
YC-TCD-201	15-25
YC-TCD-201B	30-50
YC-TCD-202	80-100
YC-TCD-202B	100-150
YC-TCD-203	150-200
YC-TCD-204	300-400

Specifications subject to change without notice



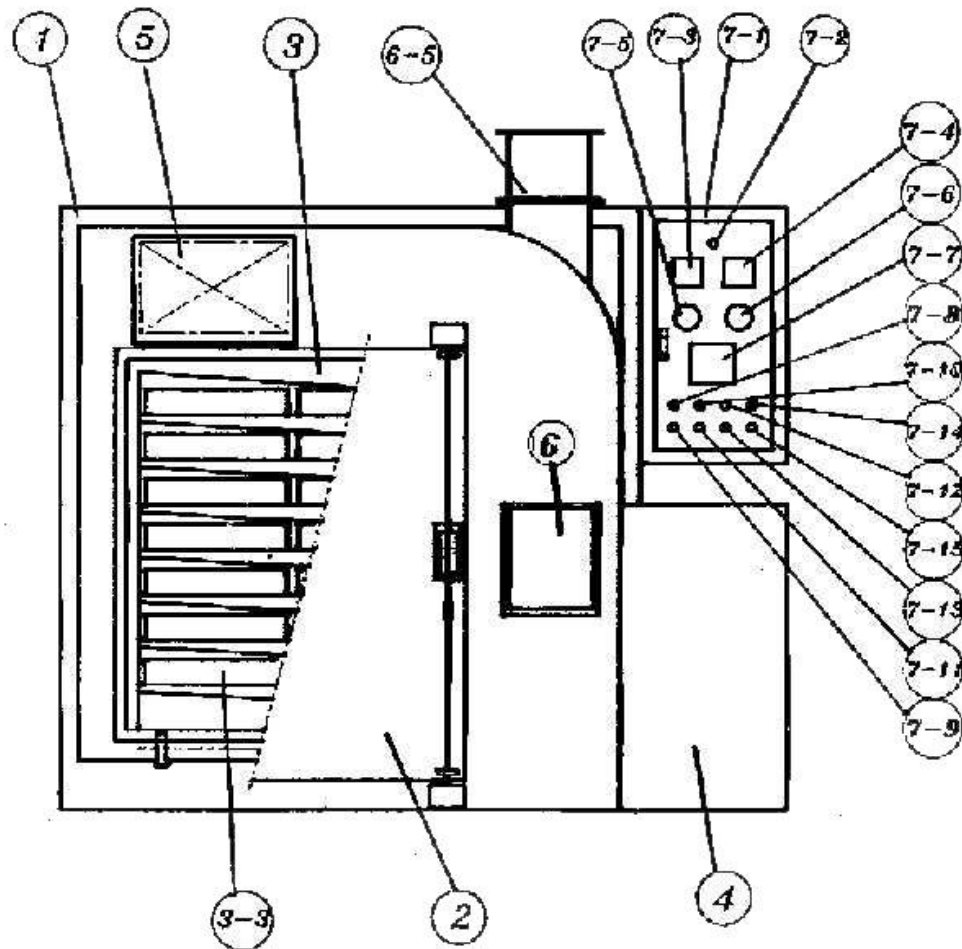
**DNV**

ISO2000:9002





# THROUGH-CIRCULATION DRYER



- 1. BODY
- 2. DOOR
- 3. INTERNAL TRUCK
- 3-3. TRAY
- 4. BLOWER
- 5. HEATER
- 6. AIR INLET GATE
- 6-5. DAMPER
- 7-1. CONTROL PANEL
- 7-2. POWER SOURCE LAMP
- 7-3. AMPERE METER
- 7-4. TEMPERATURE CONTROLLER
- 7-5. PREHEATING TIMER
- 7-6. DRYING TIMER
- 7-7. TEMPERATURE RECORDER
- 7-8. OPERATING LAMP
- 7-9. OPERATION SWITCH
- 7-10. BLOWER LAMP
- 7-11. BLOWER SWITCH
- 7-12. H1 HEATING LAMP
- 7-13. H1 HEATER SWITCH
- 7-14. H2 HEATING LAMP
- 7-15. H2 HEATER SWITCH



**DNV**

ISO2000:9002

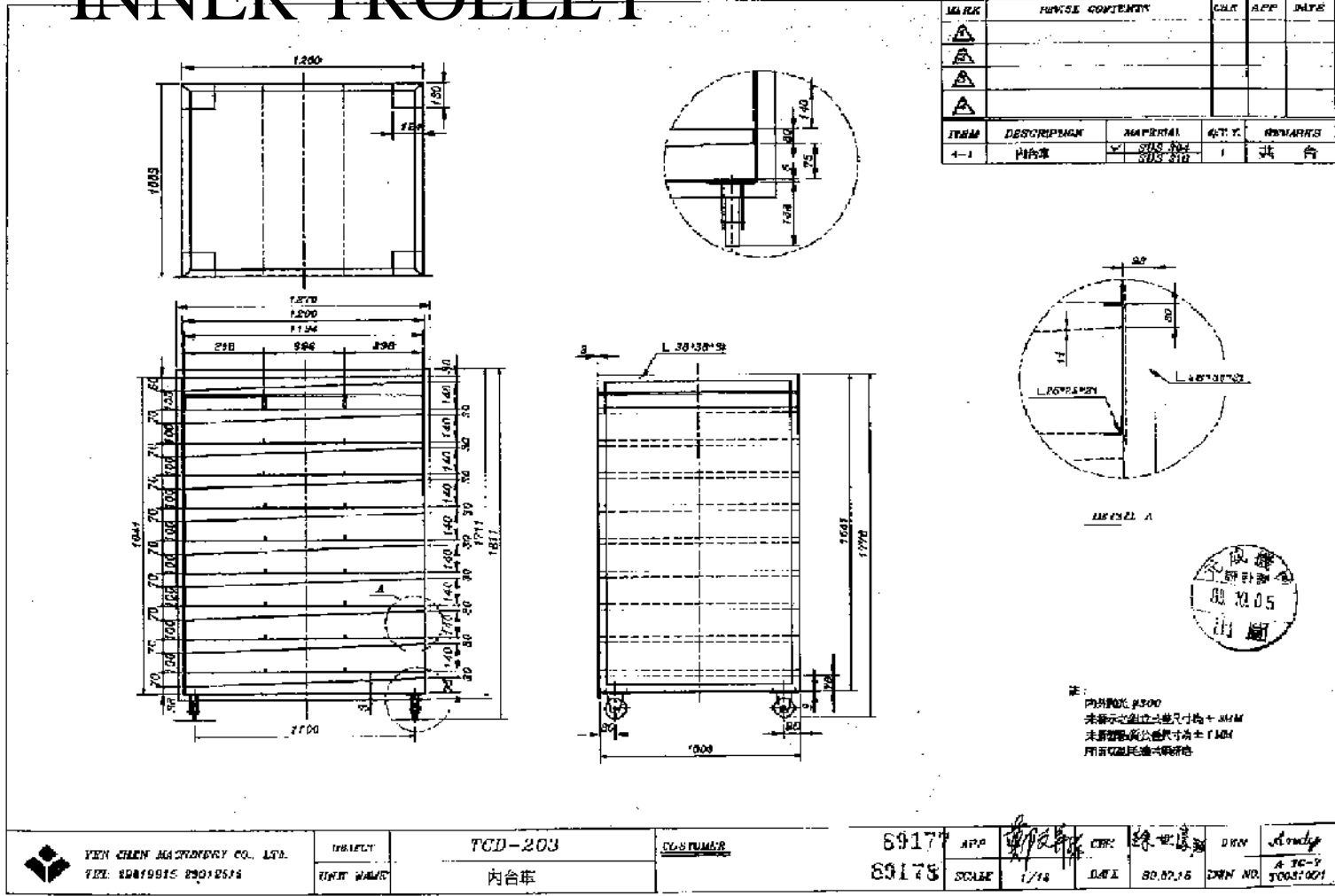
# INNER TROLLEY

2011/12

220088821

YENCHEN

02-1-3114101



MARK	REVISION CONTENTS	CHK	APP	DATE
△				
△				
△				
△				

ITEM	DESCRIPTION	MATERIAL	QTY.	REMARKS
1-1	內合車	SUS 304 SUS 316	1	共 合



注：  
 內合車用 SUS304  
 未顯示之尺寸公差均按 ± 0.1MM  
 未註明之公差按 ± 0.1MM  
 所有尺寸均按圖紙為準

**YEN CHEN MACHINERY CO., LTD.**  
 TEL: 88619815 29012514

TRAJECT  
 YEN CHEN

TCD-203  
 內合車

CUSTOMER

69177 APP: [Signature] CRK: [Signature] DRN: [Signature]  
 69178 SCALE: 1/18 DATE: 2011.05.16 DWN NO: 50051001



